

# 344Q

Valve nominal size

80 to 600mm

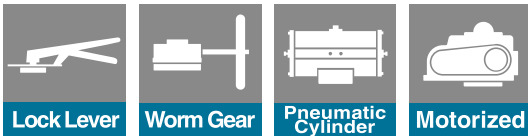
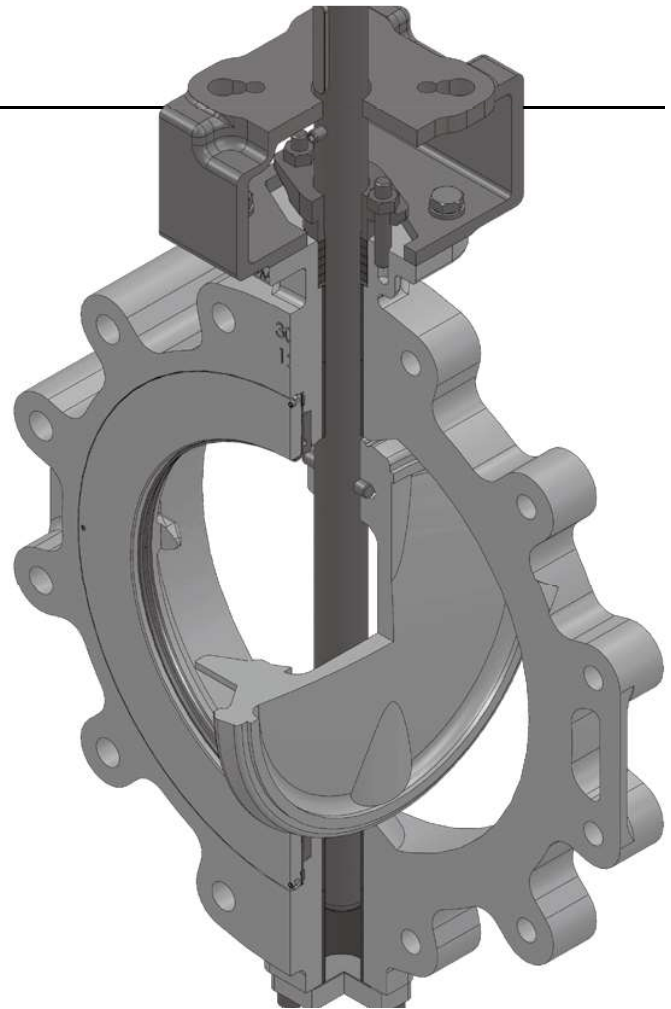
Max. working pressure MPa

0	1.0	2.0
		Ni-Al Bronze 2.0

Working temperature range °C

0		
-29		232

**FS** Fire safe certification to API607 7th Ed. / ISO10497 3rd Ed.



## Features and Benefits

Double Offset PTFE Seated High Performance Butterfly Valve to Suit API Standard Fire Safe Certification

### General description

Designed to suit those severe conditions such as high temperature, high pressure or high velocity which disallow the use of soft resilient seated butterfly valves. Ideal for use for seawater fire fighting.

### Double offset geometry

The design exhibits tight shut off, reduced torques, chemical resistance, excellent throttling capabilities, and the ability to operate with relatively high pressure drops.

### Seawater service application

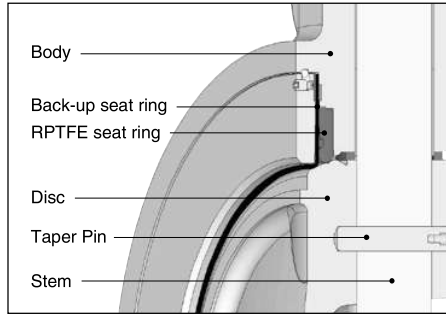
Designed to suit seawater service application such as fire fighting line for FPSO.

### Characteristics

Fire safe certification to API607 7th Ed.

API607-7th edition Fire safe / ISO10497 3rd Ed.

## 344Q Fire Safe Seat



### Standard Specifications

Product characteristics		Double offset soft seated butterfly valve
Connection		Lugged type
Nominal valve size		80, 100, 150, 200, 250, 300, 350, 400, 450, 500, 600mm
Applicable standards	Face-to-face dimensions	API609 Class150 Category B
	Flange accommodation	ASME/JPI Class150, Flat Face
	Actuator attachment	ISO5211/1
	P-T rating	ASME B16.34 / API 609
Applicable fluid		Seawater
Max.working pressure		2.0MPa
Working temperature range		-29 degree C to 232 degree C
Pressure direction		Standard pressure direction : Pressure on retainer side
Test Pressure	Shell test	Working pressure x 1.5 times (Hydrostatic pressure)
	Seat leakage	0.7MPa(Air pressure) Based on API598-9th Ed. Option : Working pressure x 1.1 times (Hydrostatic pressure)
Standard Materials	Body	ASTM B148 C95800
	Disc	ASTM B148 C95800
	Shaft	MONEL K-500
	Seat ring	RPTFE(Carbon graphite contained) / Inconel 625
	Retainer	ASTM B148 C95800
Gland Packing		Graphite
Shaft shape for actuator connection		150Lb: 80mm to 250mm : Square / 300mm to 600mm : Key
Actuator		Lock lever, Worm gear, Pneumatic cylinder, Electric motor
Coating		No coating.
Usable Gasket		Sheet gasket : Marketed products available Spiral wound gasket : Marketed products (with inner & outer ring) available
Fire safe		API607-7th edition, ISO10497 3rd edition

※It is possible that seat leakage occur when fluid (e.g. powder and/or liquid) is solidified by working temperature and other cause. Consult us.

Butterfly Valve

**TRITEC**

**TT2**

**334A**

**344Q**

**302A/303Q**

**304A/304Q**

**304YA**

**302Y/304Y**

**304M**

(HLV)

**507V/508V**

**DTM**

**846T/847T/847Q**

**841T/842T**

**700Z**

**700G/704G/705G**

**72WG/72SG/72LG**

**731P/732P/  
732Q/752W**

**731R**

**700E/700K/700S**

**704G/722F/720F**

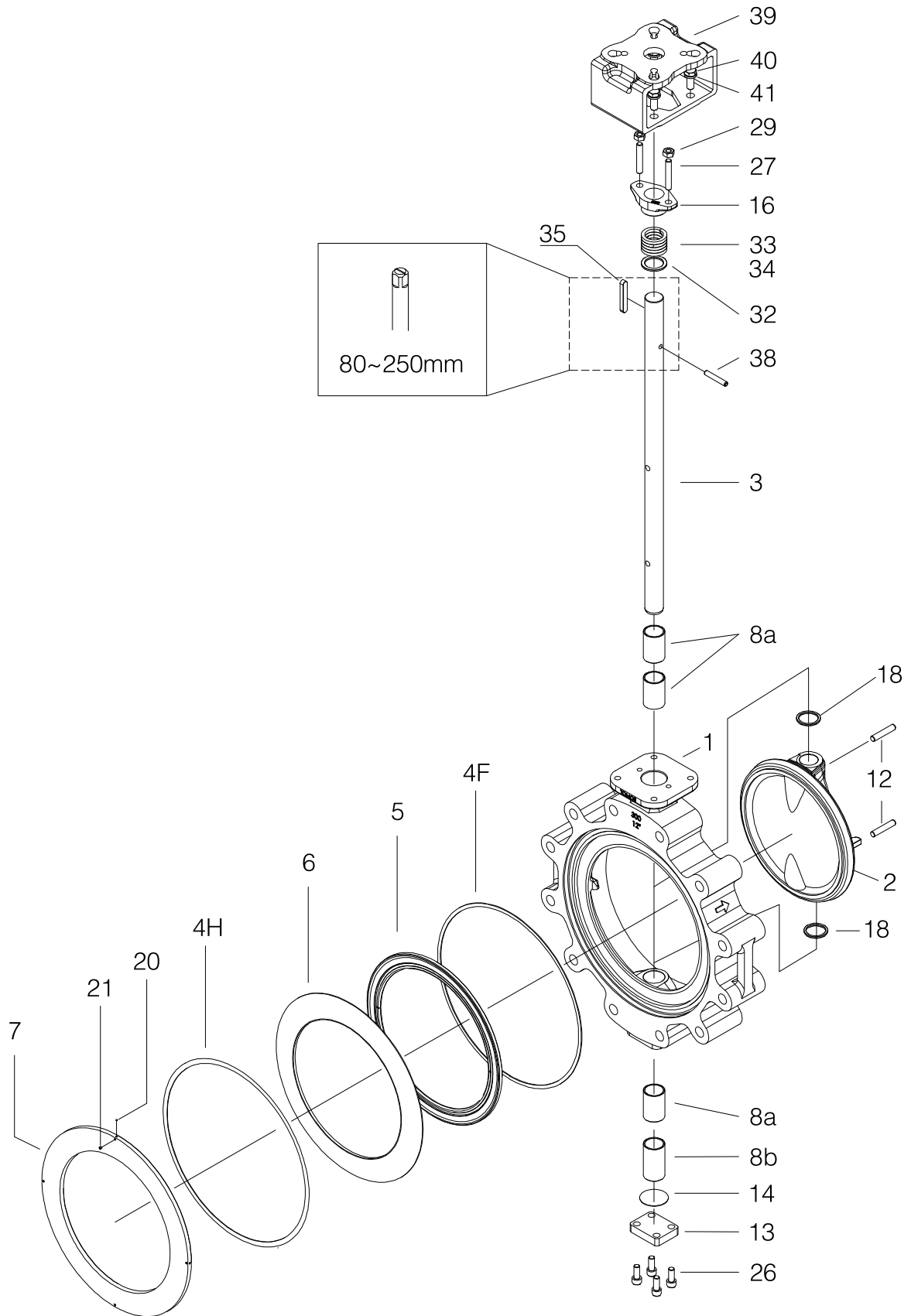
**227P**

**907T/908H**

(MKT)

**903L/901C/  
905C**(Bata-check)

## 344Q Expanded view of bare shaft



### 344Q Parts List

No.	Description	Q'ty	Remarks
1	Body	1	
2	Disc	1	
3	Stem	1	
4F	Gasket (Body)	1	
4H	Gasket (Retainer)	1	
5	Seat ring	1	
6	Backup Seating	1	
7	Seat ring retainer	1	
8a	Bearing a	3	100mm, 150mm, 250mm to 600mm
		4	80mm, 200mm
8b	Bearing b	0	80mm, 200mm
		1	100mm, 150mm, 250mm to 600mm
12	Taper pin	2	80mm to 300mm
		3	350mm to 600mm
13	Bottom cover	1	
14	Bottom gasket	1	
16	Gland plate spigot	1	
18	Space ring	2	
20	Ball	2	80mm, 100mm
		4	150mm to 600mm
21	Set screw	2	80mm, 100mm
		4	150mm to 600mm
26	Cap screw bolt	4	
27	Gland bolt	2	
29	Hexagon nut	2	
32	Packing retainer	1	
33	Gland packing a	3	
34	Gland packing b	2	
35	Key	0	80mm to 250mm
		1	300mm to 600mm
38	Spring pin	1	
39	Bracket	1	
40	Hexagon bolt	4	
41	Spring washer	4	

Butterfly Valve

**TRITEC**

**TT2**

**334A**

**344Q**

**302A/303Q**

**304A/304Q**

**304YA**

**302Y/304Y**

**304M**

(HLV)

**507V/508V**

**DTM**

**846T/847T/847Q**

**841T/842T**

**700Z**

**700G/704G/705G**

**72WG/72SG/72LG**

**731P/732P/  
732Q/752W**

**731R**

**700E/700K/700S**

**704G/722F/720F**

**227P**

**907T/908H**

(MKT)

**903L/901C/  
905C (Bata-check)**