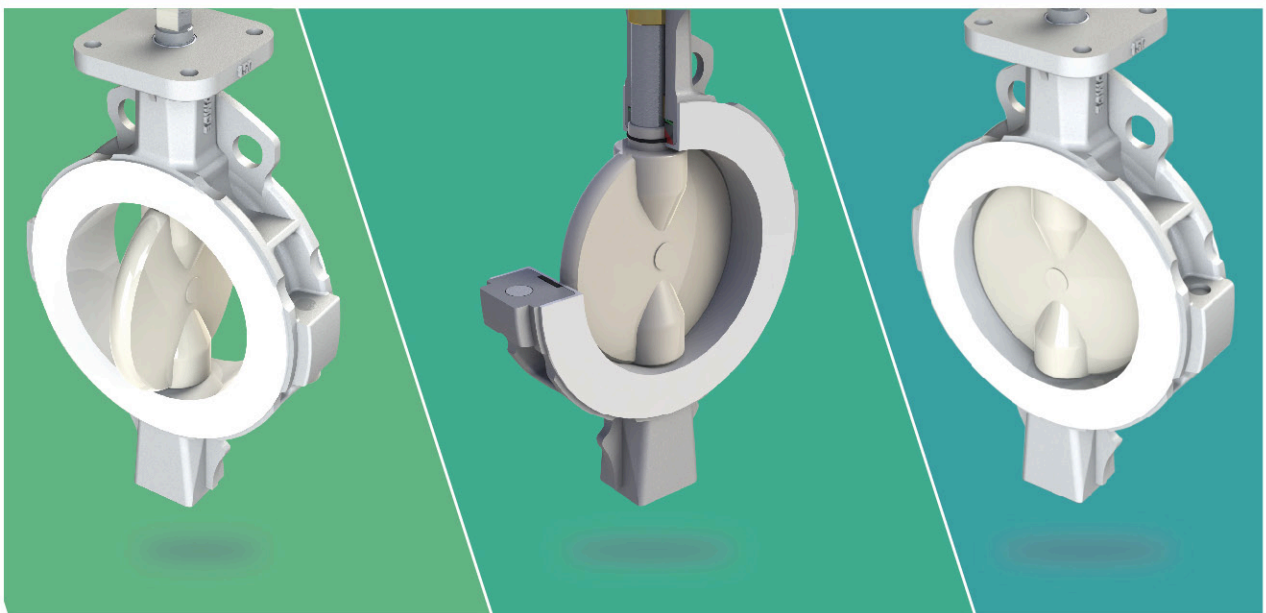


710F PTFE Lined Butterfly Valve

Apply to Chemical, Food, Medicine and other fields
Completely flow shutoff, Quadruple Sealing design



710F PTFE Lined Butterfly Valve

The design of 710F PTFE lined butterfly valve is based on ring-seal seat for sealing; The tight fit Disc and seat can completely shut off the flow; The flexible back-up fluoro gasket can ensure the valve sealing performance and valve life; Using quadruple sealing design on the upper and lower part of seat retainer, which through the shaft, can effectively prevent valve leakage.

Quadruple sealing design

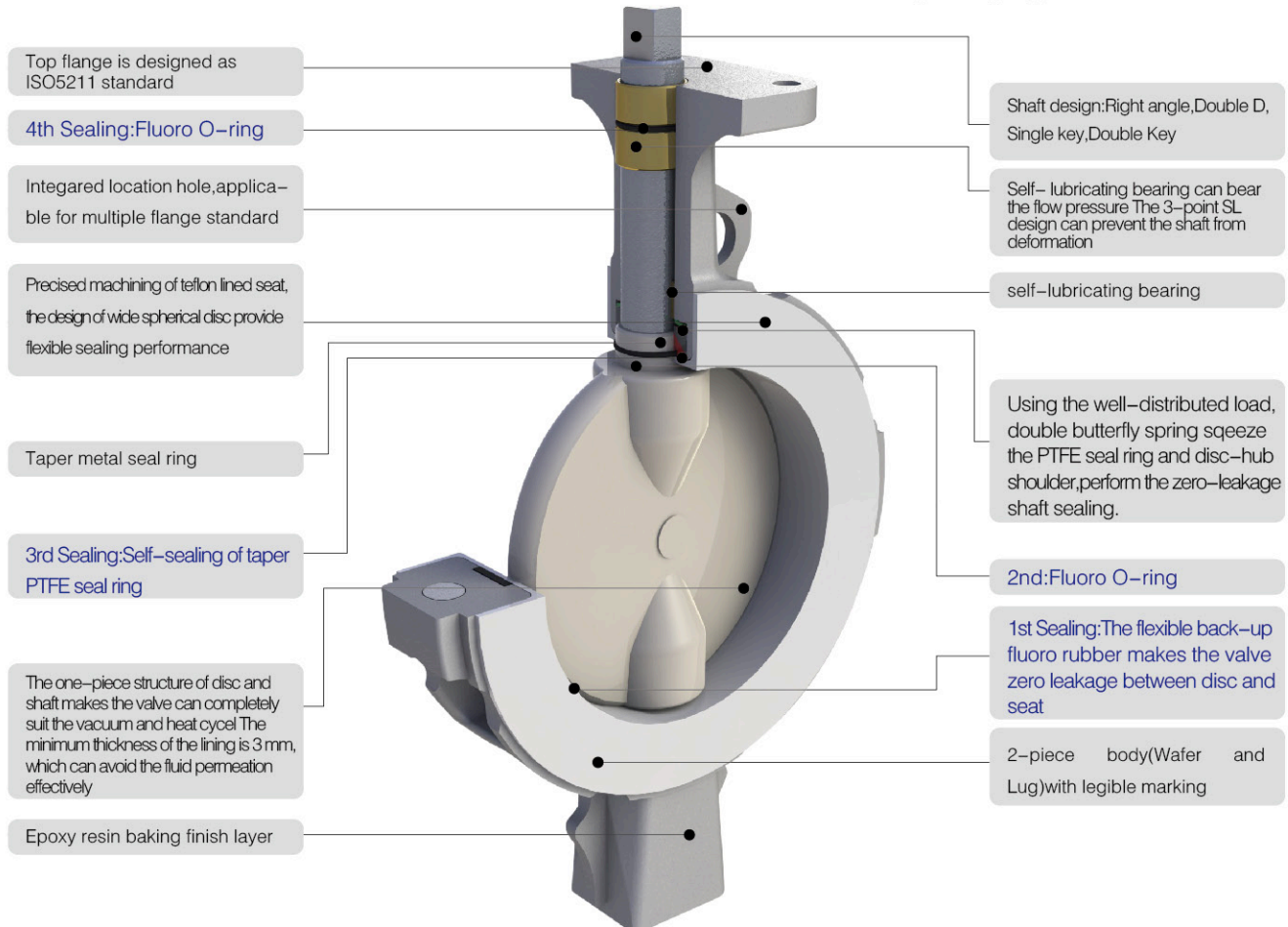
1. The tight fit of Disc and Seat
2. Fluoro O-ring

3. Self-sealing of taper PTFE seal ring
4. Fluoro O-ring

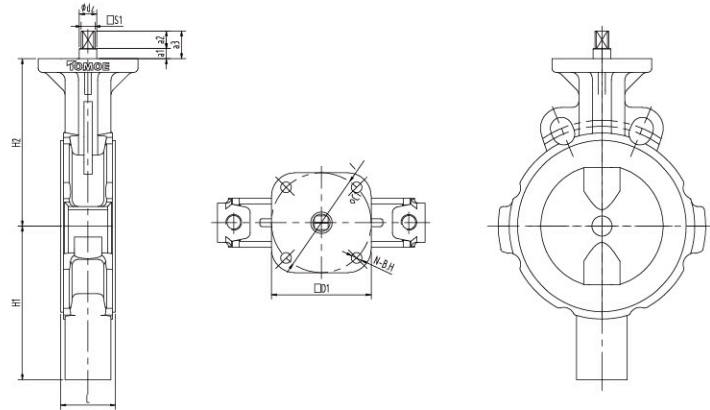


Teflon Butterfly Valve	
Size	50mm~600mm (2" ~24")
Working pressure	0.1bar~10bar (1.0MPa)
Maximum working pressure	Liquid: 1.0MPa GAS: 1.0MPa
Temperature range	-20°C~200°C(Please consult us for higher)
Design standard	API609, DIN3354, JIS B2032
Face to face dimension standard	ASME B 16.10, DIN 3202, JIS B 2002, ISO 5752, GB/T 12221
Applicable flange standard	JIS 5K/10K, ANSI 125/150Lb, BS 4504 PN6/10/16, DIN 2632 PN6/10/16, GB PN6/10/16
Visual inspection	MSS SP55
Pressure test standard	API 598, DIN 3230, JIS B2003, GB/T 13927
Leakage test	Hydraulic: 1.1MPa, Gas: 1.1MPa
Actuation	Lever/Gear/Pneumatic/Motorize
Electric spark test	14kv

*Please consult us for Lug or flange type need

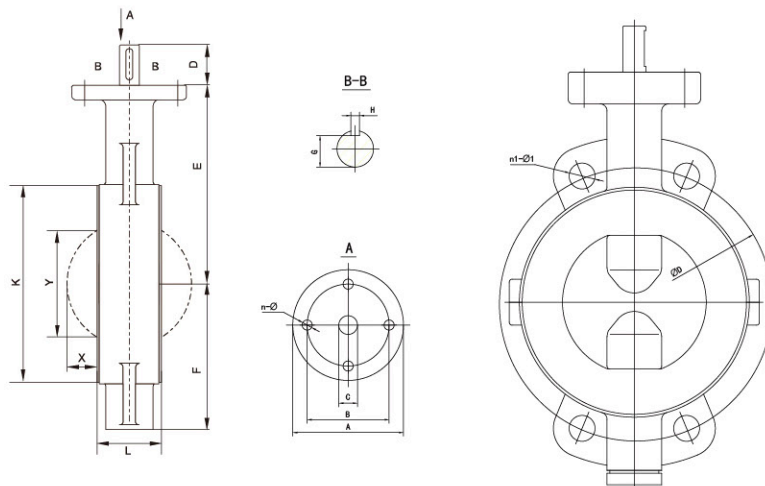


DN50-300



Nominal size		Dimension(mm)										Flange rating	Torque(N.m)
mm	inch	a1	a2	a3	H1	H2	L	Φd2	C1	S1	N-B.H.		
50	2	11	12	23	100	118.5	43	14	70	12	4-Ø9	JIS 5K/10K ANSI 125/150Lb BS 4504 PN6/10/16 DIN 2632 PN6/10/16 GB PN6/10/16	≤ 19
65	2 1/2	11	12	23	114	123	43	14	70	12	4-Ø9		≤ 19
80	3	11	12	23	121.5	132.5	46	14	70	12	4-Ø9		≤ 40
100	4	11	17	28	137	148	52	16	70	14	4-Ø9		≤ 60
125	5	11	17	28	157	171	56	18	102	14	4-Ø11		≤ 70
150	6	11	17	28	171	183	56	18	102	14	4-Ø11		≤ 100
200	8	5	25	30	198	220	60	22	102	18	4-Ø11		≤ 140
250	10	5	30	35	260	260	68	28	102	24	4-Ø11		≤ 310
300	12	5	30	35	297	320	78	30	125	24	4-Ø13		≤ 470

DN350-600



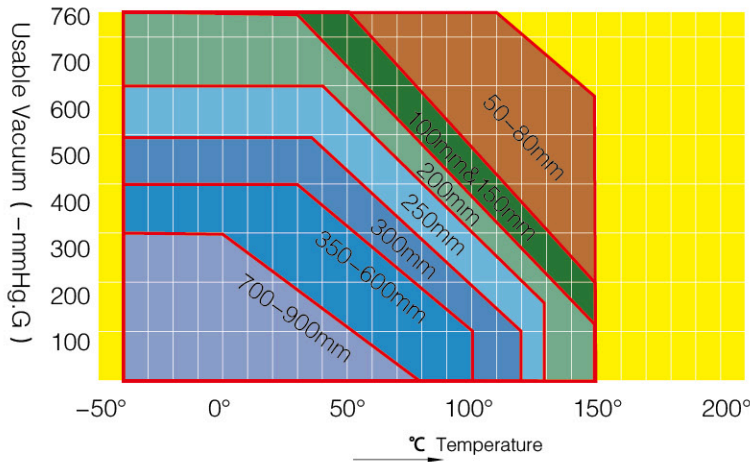
DN	A	B	C	D	E	F	G	H	N-Φ	L	K	X	Y	Weight	DN	ΦD	N1-Φ1	ΦD	N1-Φ1
350	210	165	38	55	360	285	33	10	4-Φ22	78	410	136	341	75	350	445	16-25	476.3	12-1 1/8
400	210	165	38	55	395	320	33	10	4-Φ22	102	460	147	383	110	400	510	16-27	539.8	16-1 1/8
450	210	165	44	65	435	360	38.5	14	4-Φ22	114	518	167	432	130					
500	210	165	44	65	455	385	38.5	14	4-Φ22	127	565	181	473	190	500	620	20-27	635	20-1 1/4
600	210	165	55	75	525	445	49	16	4-Φ22	154	658	218	569	280	600	730	24-33	749.3	20-1 3/8



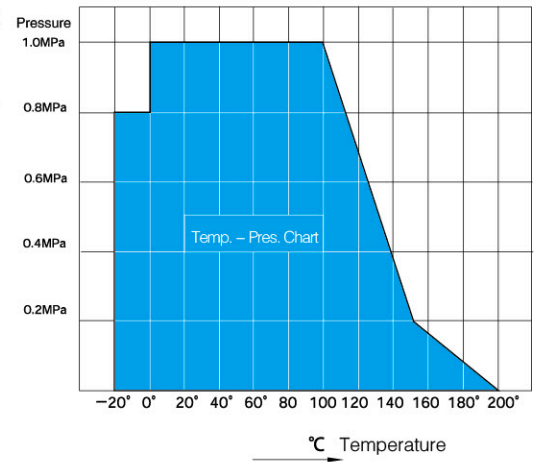
Valve Material Option

NO	Part	Quantity	Material	Standard and Grade		
				ASTM	JIS	DIN
1	Body	2	Carbon Steel	A216-WCB	G5151 SCPH2	GS-20Mn5(1.112)
			Stainless Steel	A351-CF8	G5151 SCS13A	G-X6CrNi18-9(1.4308)
2	Disc	1	CS+PFA	A570Gr.A	SS400	S235JR(1.0037) G-X6CrNi18-9(1.4308)
3	Seat	1	PTFE	-	-	-
4	Spring washer	2	Fluro-rubber	-	-	-
5	Bearing	4	CS+PTFE	1020+PTFE	S20C+PTFE	C22E(1.1151)+PTFE
6	Taper sleeve	2	Carbon Steel	1020	S20C	C22E(1.1151)
7	Taper ring	2	PTFE	-	-	-
8	Butterfly spring	4	Spring Steel	6150	SUP10	51CrV4(1.8159)
9	O-ring	3	Fluro-rubber	-	-	-
10	Hex bolt	2	Stainless Steel	304	SUS304	X5CrNi18-10(1.4301)
11	shaft	1pair	Stainless Steel	-	SUS420J2	X30Cr13(1.4028)

Vacuum use boundary



710F(CS-PFA disc)



CV value for 90 degree opening

(mm)	CV
50	210
65	210
80	410
100	710
125	1150
150	1750
200	3550
250	5100
300	8870
350	9200
400	14500
450	20100
500	22000
600	31000

Applicable Field And Medium

Chemical Work	Sulfuric Acid, Nitric Acid, Hydrochloric Acid, Acetic Acid, Phosphoric Acid
Food Factory	Beer, Wine, Sauce, Chocolate
Pharmaceutical Factory	Vitamin Drugs, Calcium Chloride
Gas Factory	Hydrogen Sulfide, Sulfurous Acid Gas (dry/wet)
Solvent Factory	Methanol, Benzene, Dimethylbenzene, Ethyl Acetate, Methyl Ethyl Ketone



710F-150A View



TOMOE®

上海巴蝶阀门有限公司

SHANGHAI TOMOE VALVE CO.,LTD

上海市嘉定区马陆镇宝安公路2755号 邮编:201801

Tel:(021)-6915-5067 6915-5068

Fax:(021)-6915-5218

Http://www.tomoe.sh.cn